

4

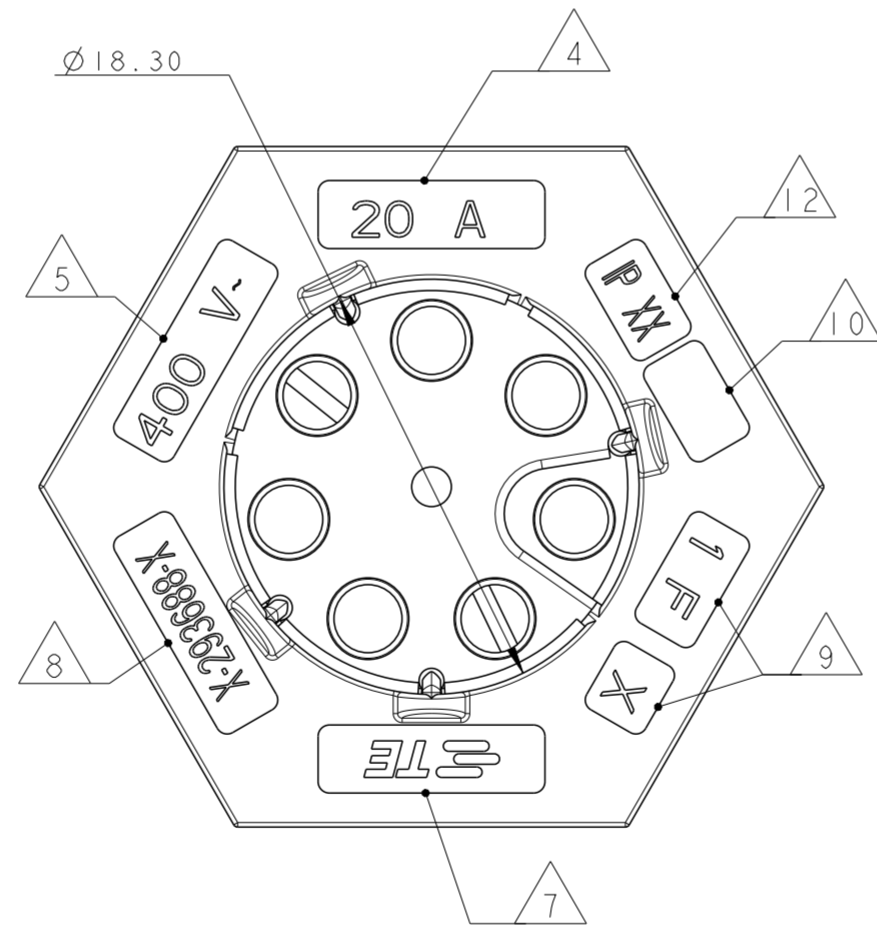
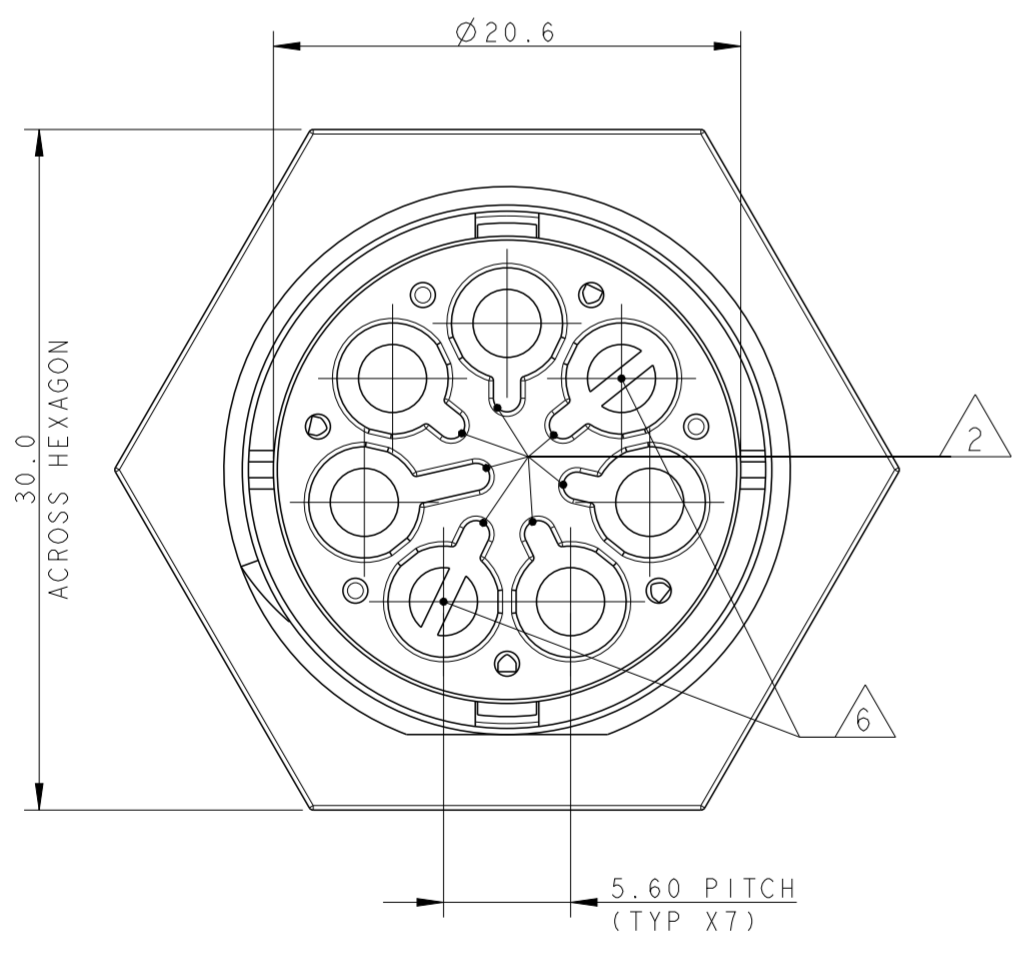
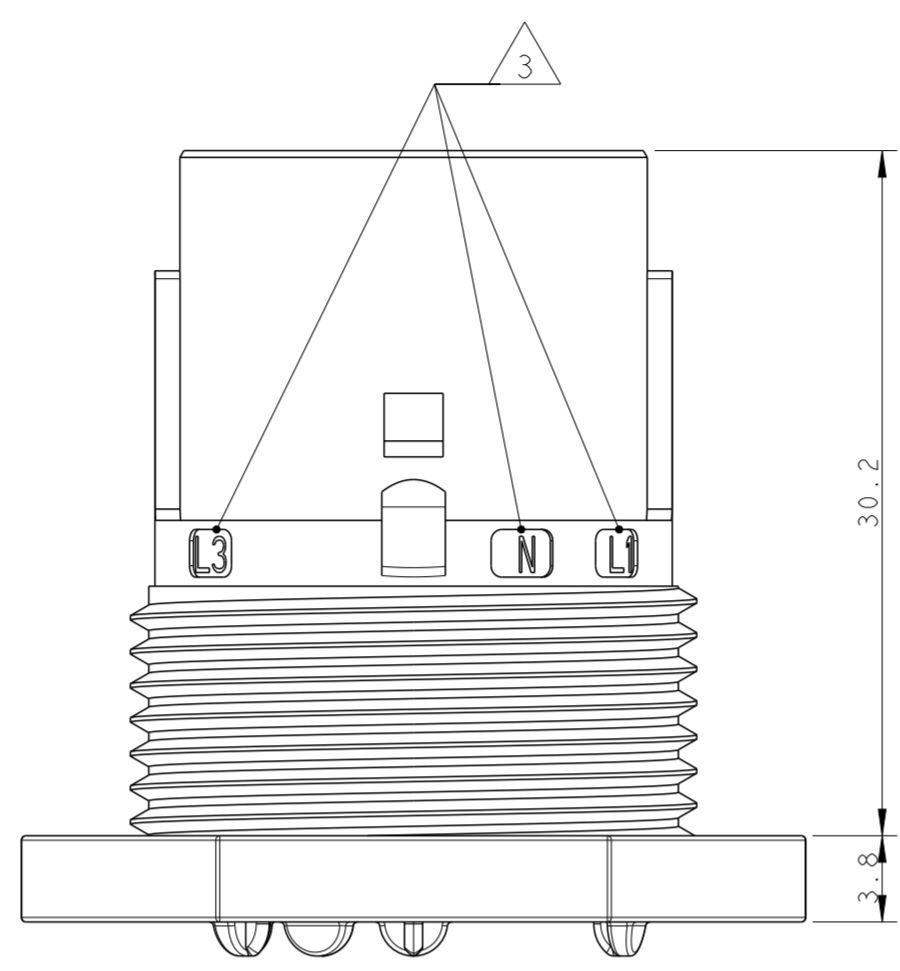
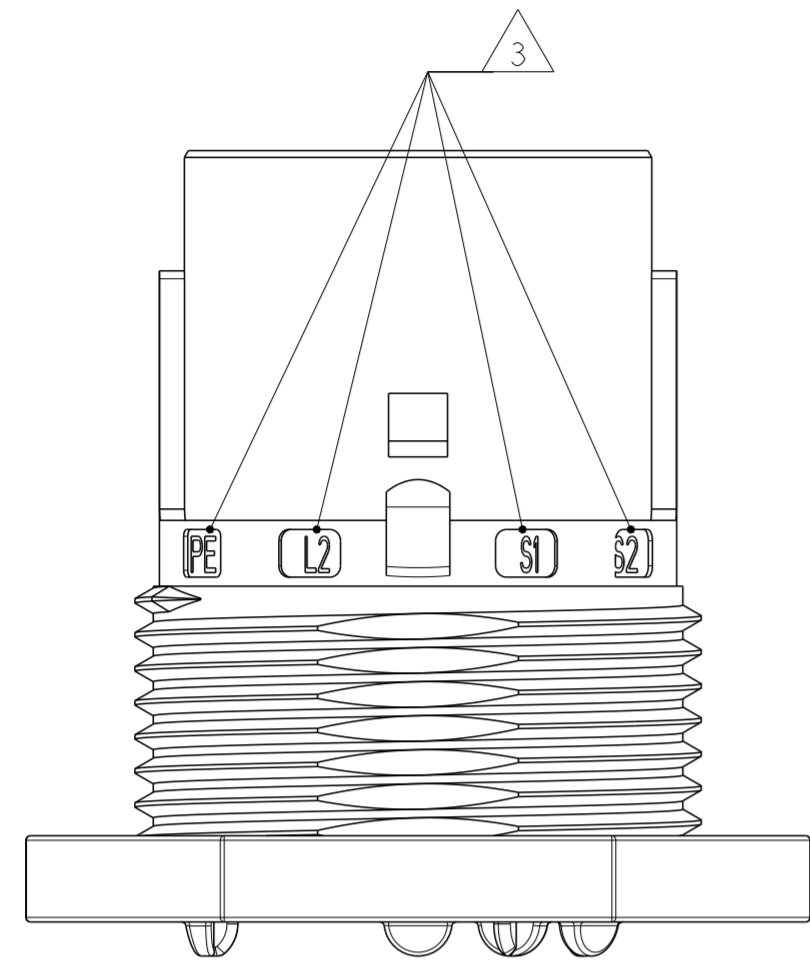
3

2

1

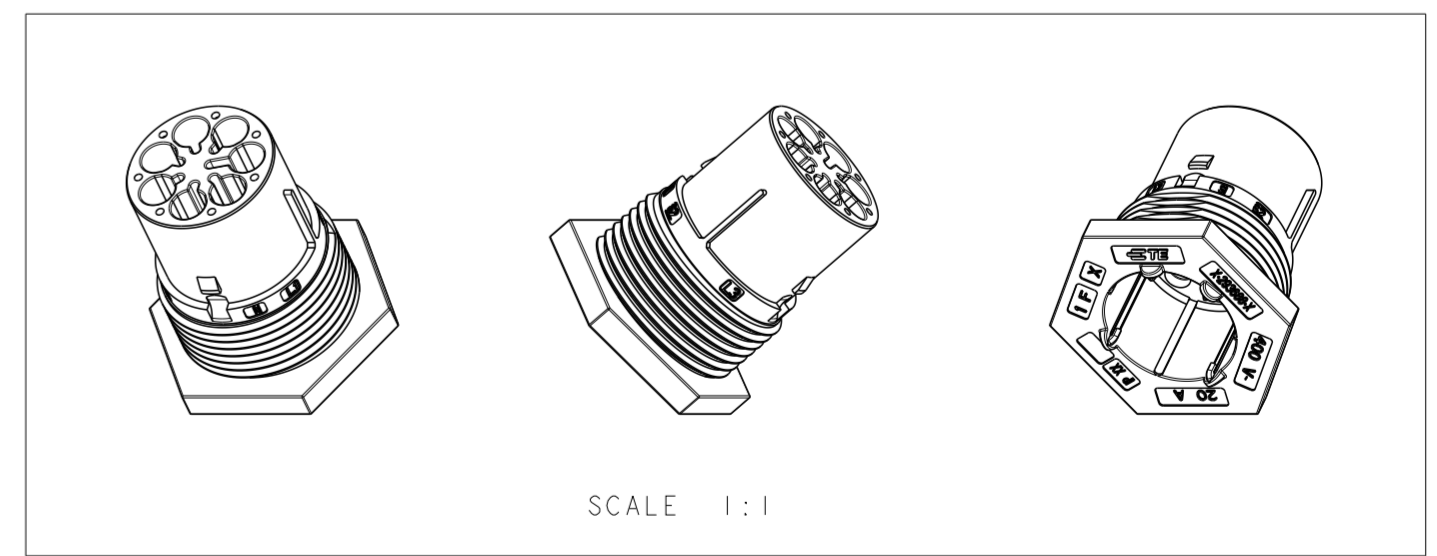
THIS DRAWING IS UNPUBLISHED. RELEASED FOR PUBLICATION 2011
 © COPYRIGHT 2011 ALL RIGHTS RESERVED.

LOC	DIST	REVISIONS					
		P	LTR	DESCRIPTION	DATE	DWN	APVD
4				REVISED	02MAY2013	KR	JC
5				UPDATED	22JUL2013	MZ	JC
6				REVISED LATCH SHAPE	09AUG2013	KR	JC
A				PARTS RELEASED FOR PRODUCTION	13NOV2013	MZ	JC



NOTES:

- 1 MATERIAL: PA GF (NATURAL AND BLACK COLOUR)
 - 2 ALL POLARIZATION KEYS SHOWN FOR REF ONLY
 - 3 WAYS I.D.
 - 4 CURRENT RATING
 - 5 VOLTAGE RATING
 - 6 RIB CLOSING CAVITIES BY CHANGE OVER
 - 7 TE LOGO
 - 8 TE PART NUMBER
 - 9 DATA CODE AND CAVITY I.D.
 - 10 AREA FOR AGENCIES APPROVAL LOGO
- 11) SEE C-DRAWING 293682 (LOCKING CAP) TO GET IP 40
- 12 IP CODE
 - 13 POLARISATION KEY "TYPE D" SUITABLE FOR DALI APPLICATION



THIS DRAWING IS A CONTROLLED DOCUMENT.

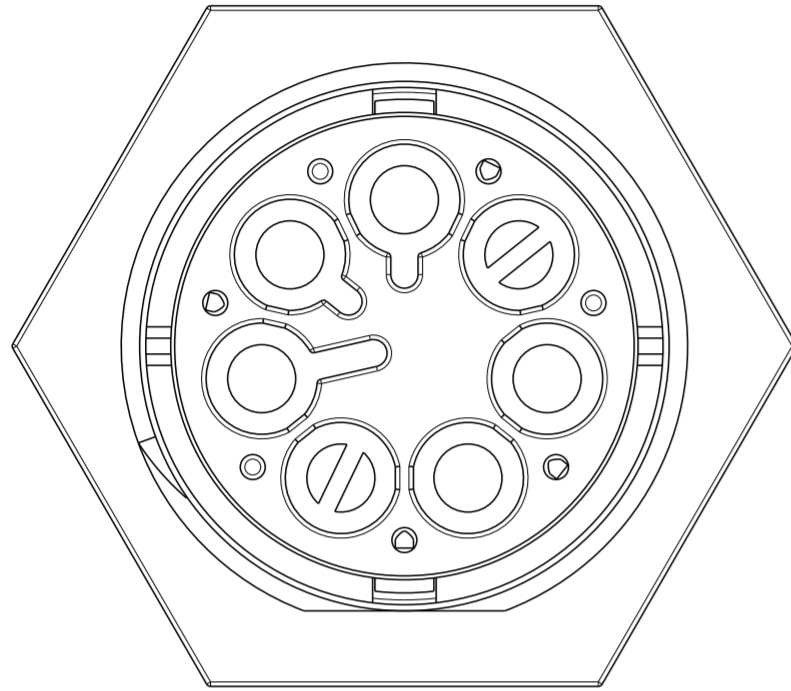
DIMENSIONS: mm 	TOLERANCES UNLESS OTHERWISE SPECIFIED: 0 PLC ± 1 PLC ±0.3 2 PLC ±0.20 3 PLC ± 4 PLC ± ANGLES ±3° FINISH	DWN M. ZUCCA 01APR2011	TE Connectivity
		CHK M. ZUCCA 01APR2011	
		APVD G. TURCO 01APR2011	
		PRODUCT SPEC	
MATERIAL		NAME PIN HOUSING PANEL MOUNT NECTOR* M-LINE 5 POLES UNSEALED VERSION	RESTRICTED TO
		APPLICATION SPEC WEIGHT -	SIZE A2 CAGE CODE 0779 DRAWING NO. C-293688
		Customer Drawing	SCALE 3:1 SHEET 1 OF 3 REV A

THIS DRAWING IS UNPUBLISHED. RELEASED FOR PUBLICATION 2011
 © COPYRIGHT 2011 ALL RIGHTS RESERVED.

LOC	DIST	REVISIONS			
P	LTR	DESCRIPTION	DATE	DWN	APVD
		SEE SHEET 1			

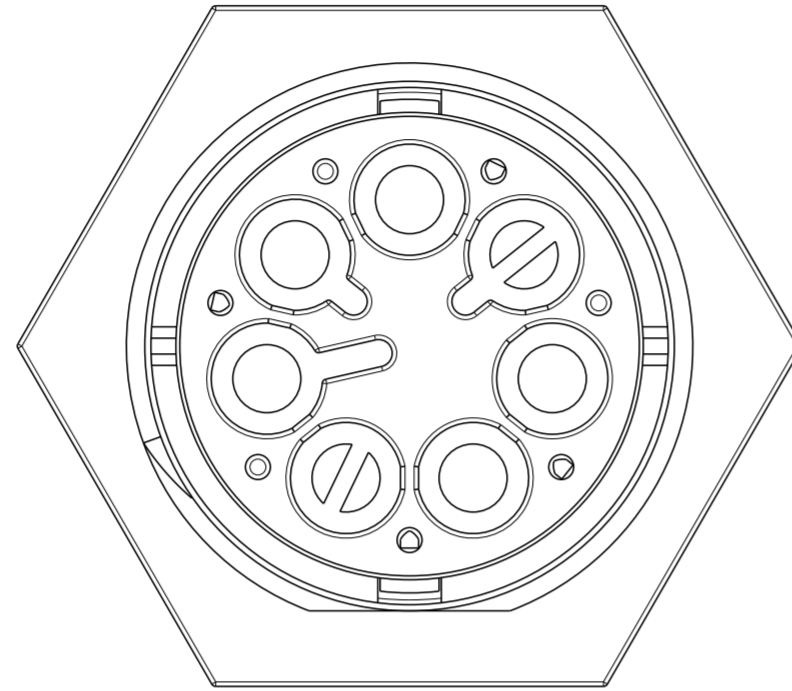
POLARIZATION TYPES

POLARIZATION TYPE "A"



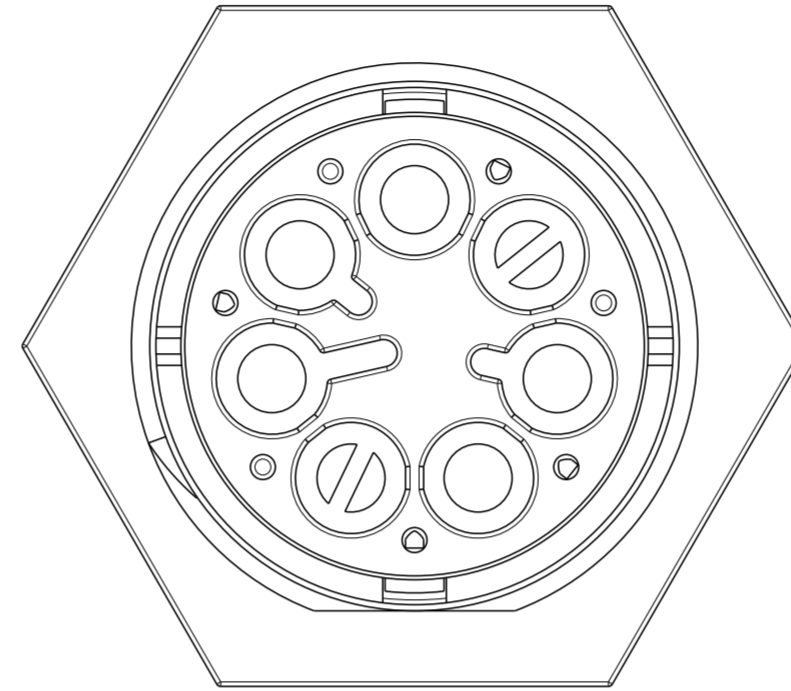
PNs 0-293688-1 AND
1-293688-1

POLARIZATION TYPE "B"



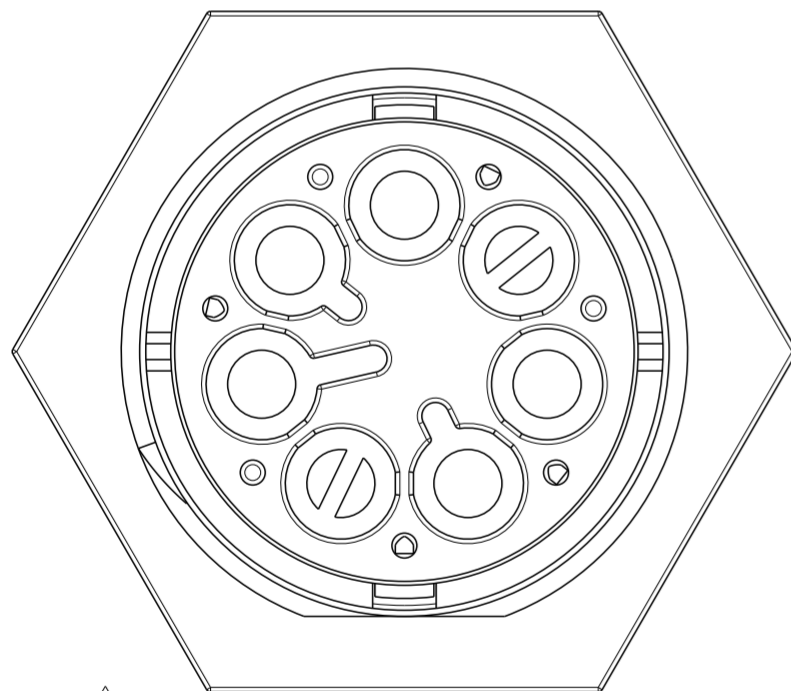
PNs 0-293688-2 AND
1-293688-2

POLARIZATION TYPE "C"



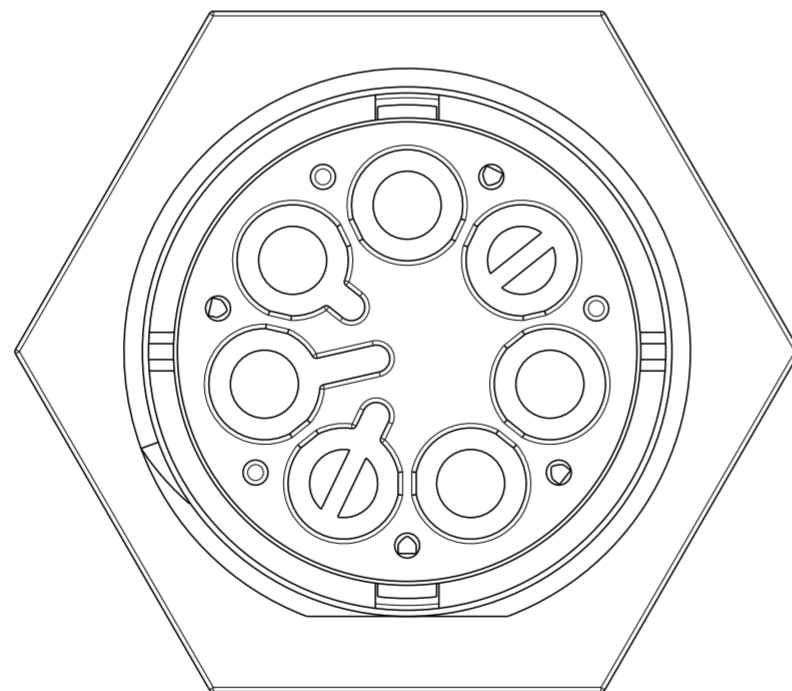
PNs 0-293688-3 AND
1-293688-3

POLARIZATION TYPE "D"



PNs 0-293688-4 AND
1-293688-4

POLARIZATION TYPE "E"



PNs 0-293688-5 AND
1-293688-5

TABLE 1

NOTE	POL. KEYING	COLOUR	DESCRIPTION	REV.	P/N
	E	BLACK	PIN HSG 5 POLES PANEL MOUNT NECTOR* M-LINE	A	1-293688-5
	D	BLACK	PIN HSG 5 POLES PANEL MOUNT NECTOR* M-LINE	A	1-293688-4
	C	BLACK	PIN HSG 5 POLES PANEL MOUNT NECTOR* M-LINE	A	1-293688-3
	B	BLACK	PIN HSG 5 POLES PANEL MOUNT NECTOR* M-LINE	A	1-293688-2
	A	BLACK	PIN HSG 5 POLES PANEL MOUNT NECTOR* M-LINE	A	1-293688-1
	E	NATURAL	PIN HSG 5 POLES PANEL MOUNT NECTOR* M-LINE	A	0-293688-5
	D	NATURAL	PIN HSG 5 POLES PANEL MOUNT NECTOR* M-LINE	A	0-293688-4
	C	NATURAL	PIN HSG 5 POLES PANEL MOUNT NECTOR* M-LINE	A	0-293688-3
	B	NATURAL	PIN HSG 5 POLES PANEL MOUNT NECTOR* M-LINE	A	0-293688-2
	A	NATURAL	PIN HSG 5 POLES PANEL MOUNT NECTOR* M-LINE	A	0-293688-1

THIS DRAWING IS A CONTROLLED DOCUMENT.

DWN: M. ZUCCA 01APR2011
 CHK: M. ZUCCA 01APR2011
 APVD: G. TURCO 01APR2011

STE TE Connectivity

NAME: PIN HOUSING PANEL MOUNT
NECTOR* M-LINE 5 POLES
UNSEALED VERSION

SIZE: A2 CAGE CODE: 0779 DRAWING NO: C-293688 RESTRICTED TO: -

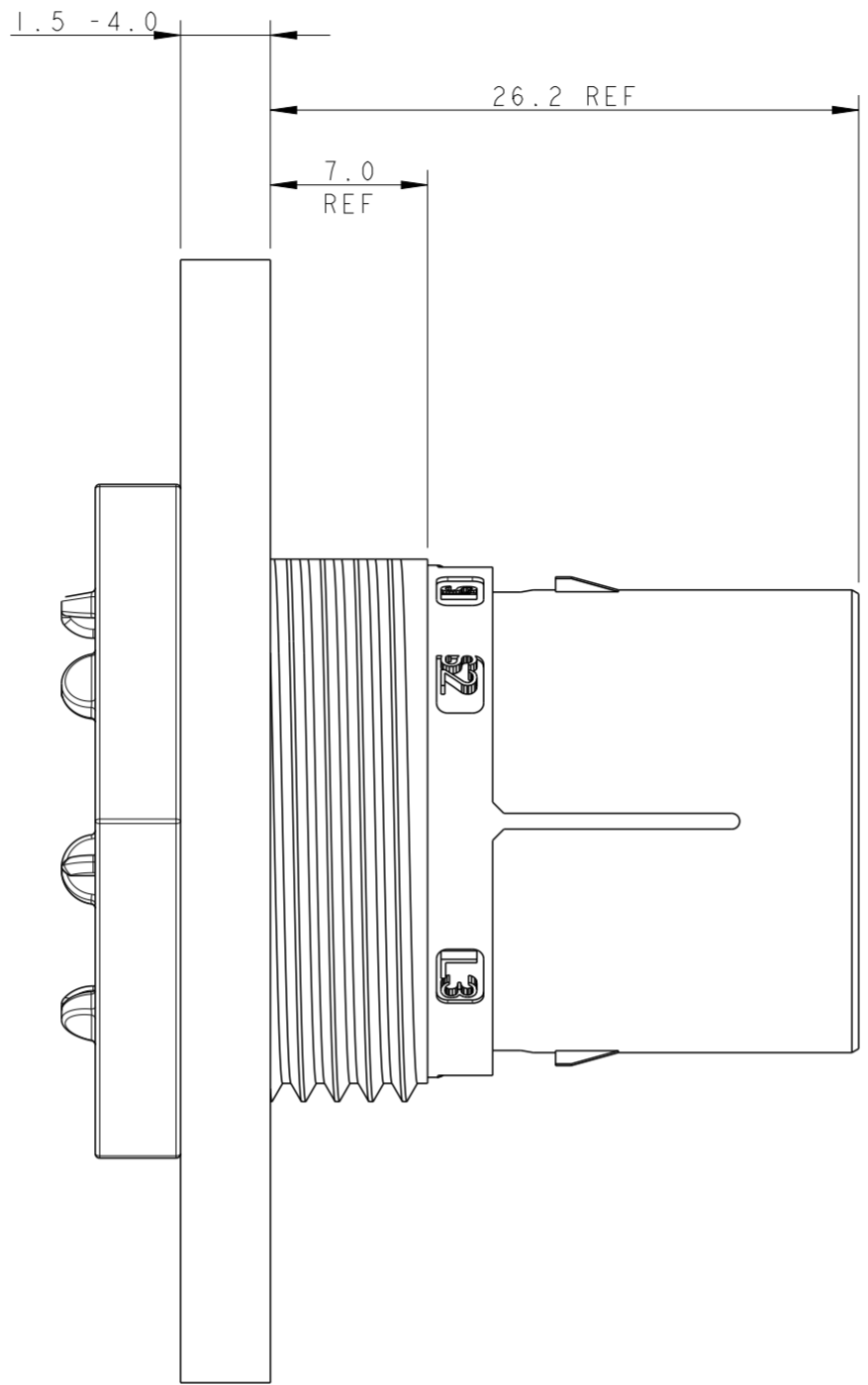
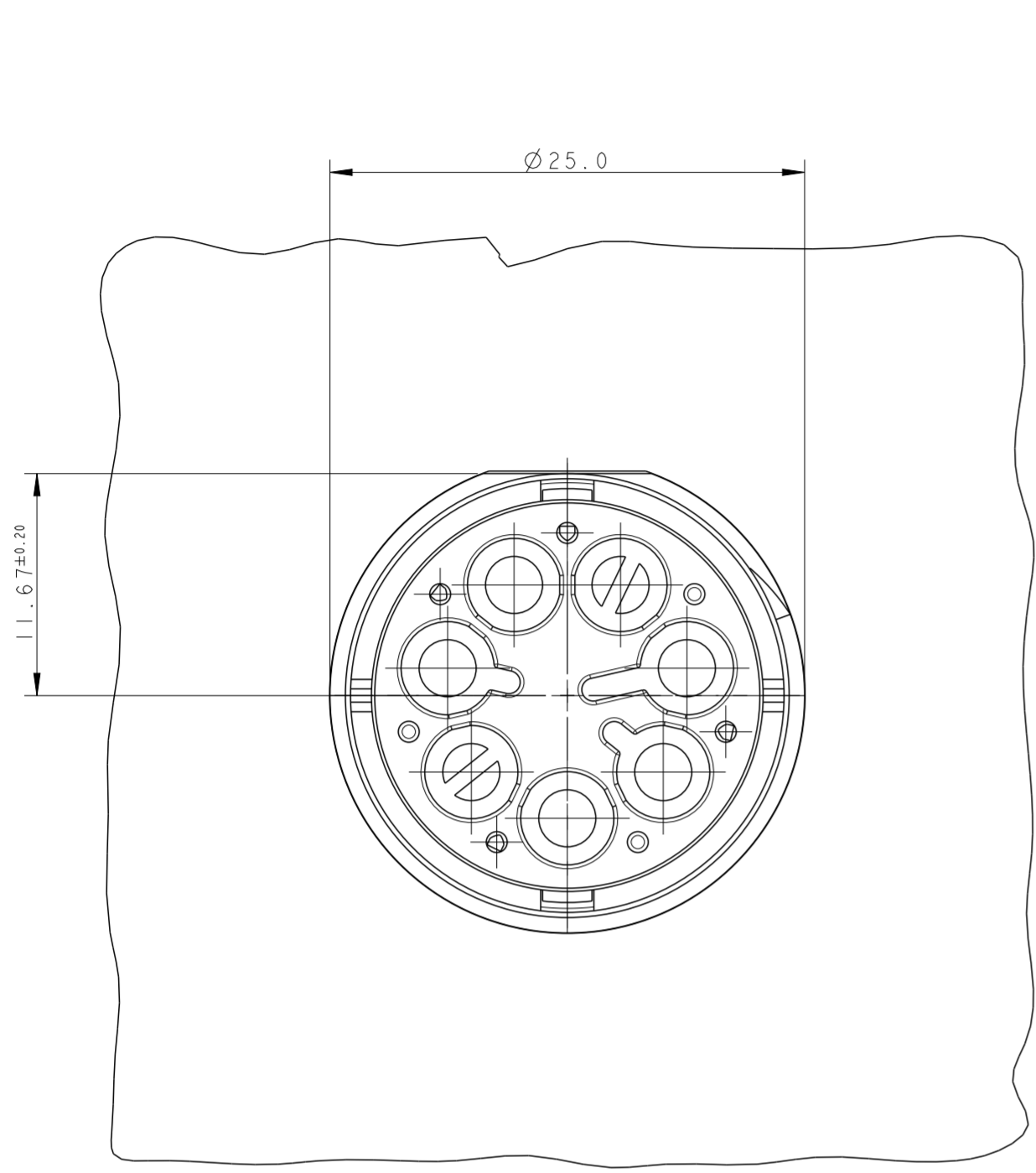
MATERIAL: - DIMENSIONS: mm TOLERANCES UNLESS OTHERWISE SPECIFIED: 0 PLC ±, 1 PLC ±0.3, 2 PLC ±0.20, 3 PLC ±, 4 PLC ±, ANGLES ±3°, FINISH -

PRODUCT SPEC: - APPLICATION SPEC: - WEIGHT: -

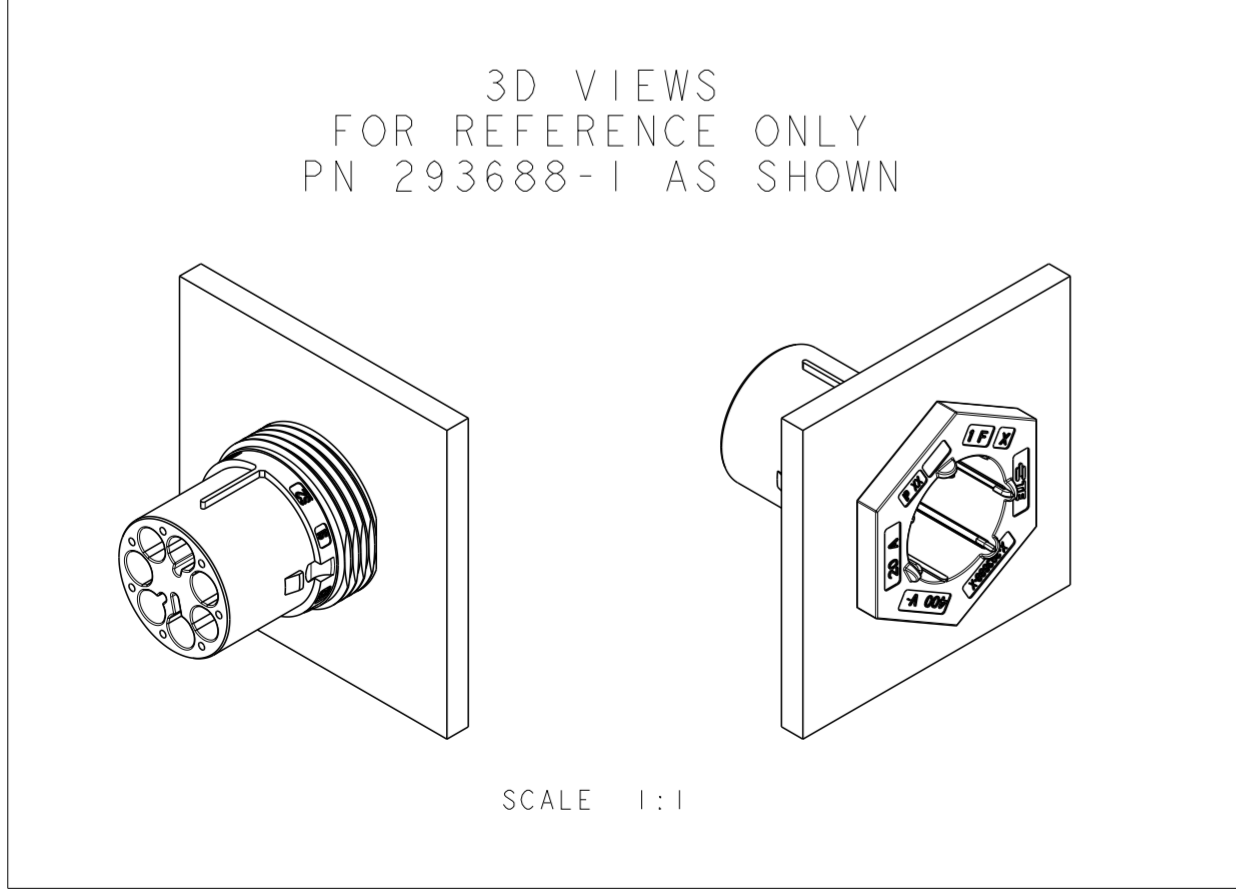
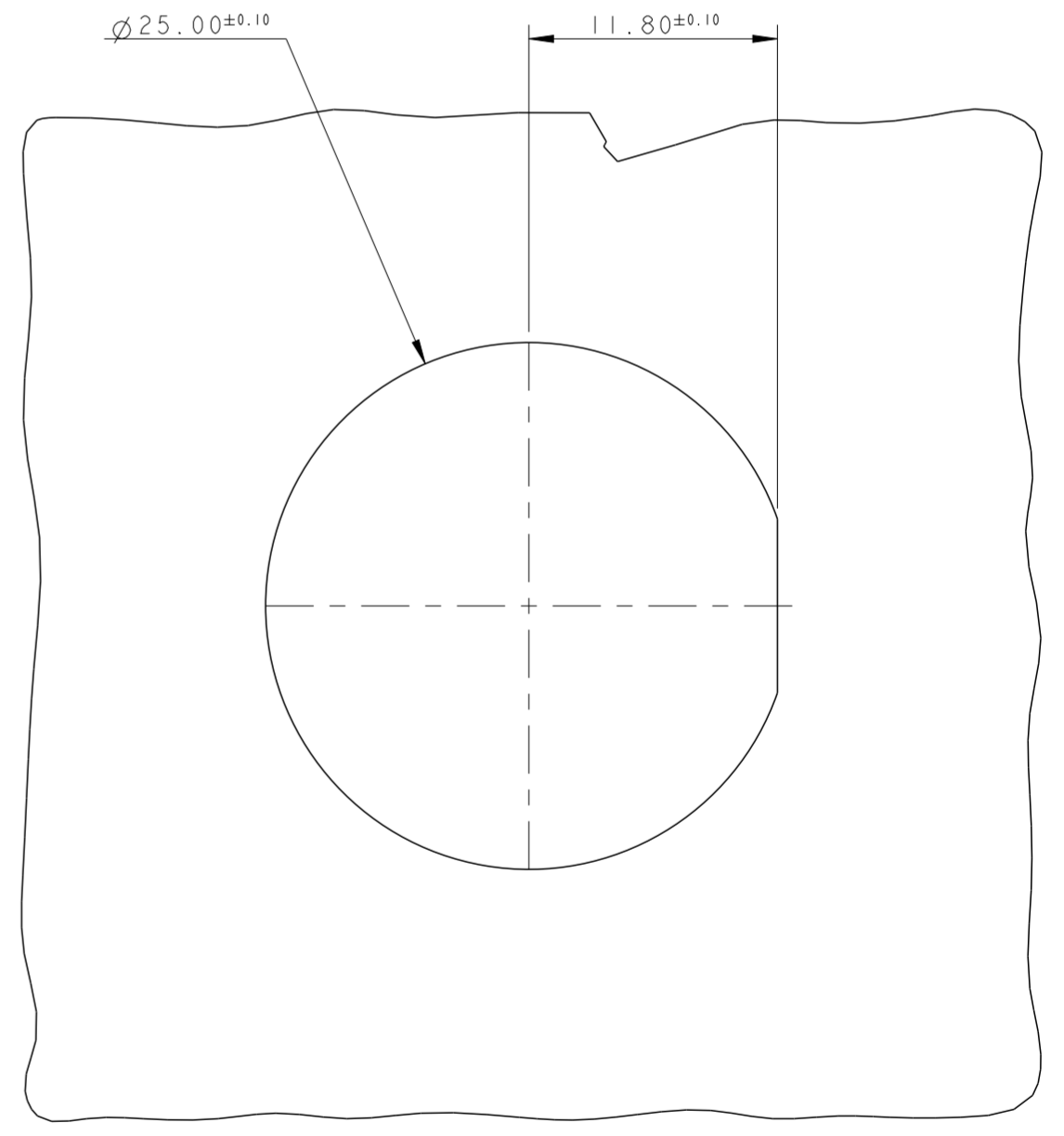
Customer Drawing SCALE 3:1 SHEET 2 OF 3 REV A

THIS DRAWING IS UNPUBLISHED. RELEASED FOR PUBLICATION 2011
 © COPYRIGHT 2011 ALL RIGHTS RESERVED.

LOC		DIST		REVISIONS			
P	LTR	DESCRIPTION	DATE	DWN	APVD		
-	-	SEE SHEET 1	-	-	-		



PANEL/WALL SUGGESTED LAYOUT



THIS DRAWING IS A CONTROLLED DOCUMENT.		DWN	M. ZUCCA	01APR2011	 TE Connectivity				
DIMENSIONS: mm		CHK	M. ZUCCA	01APR2011					
TOLERANCES UNLESS OTHERWISE SPECIFIED:		APVD	G. TURCO	01APR2011					
0 PLC ± 1 PLC ±0.3 2 PLC ±0.20 3 PLC ± 4 PLC ± ANGLES ±3° FINISH		NAME	PIN HOUSING PANEL MOUNT NECTOR* M-LINE 5 POLES UNSEALED VERSION						
MATERIAL		PRODUCT SPEC	-		SIZE	CAGE CODE	DRAWING NO	RESTRICTED TO	
-		APPLICATION SPEC	-		A2	00779	C-293688	-	
-		WEIGHT	-		Customer Drawing		SCALE 3:1	SHEET 3 OF 3	REV A